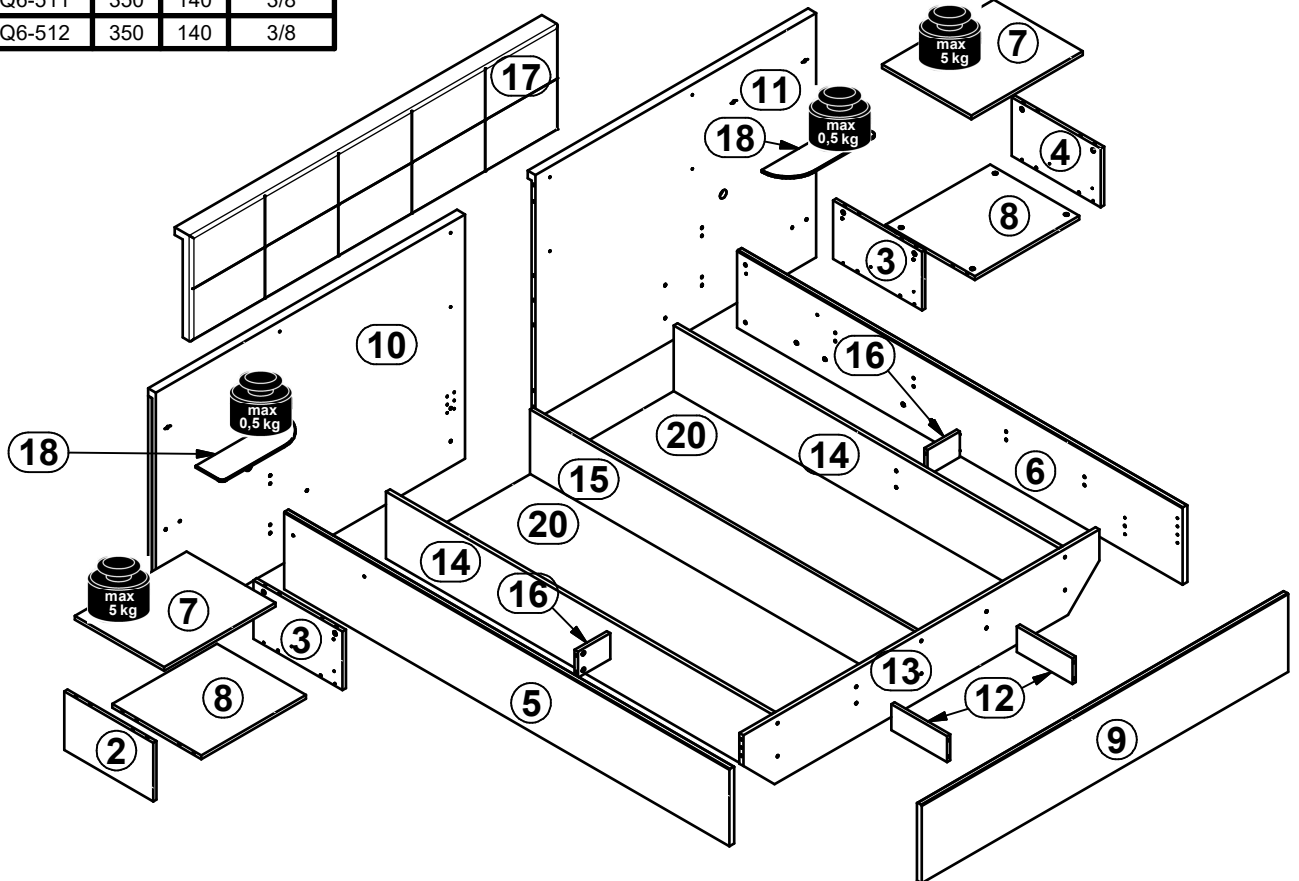
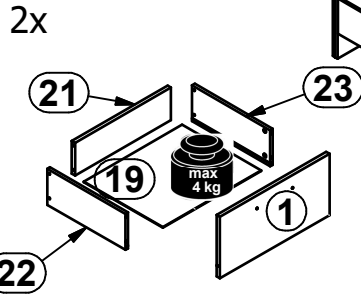
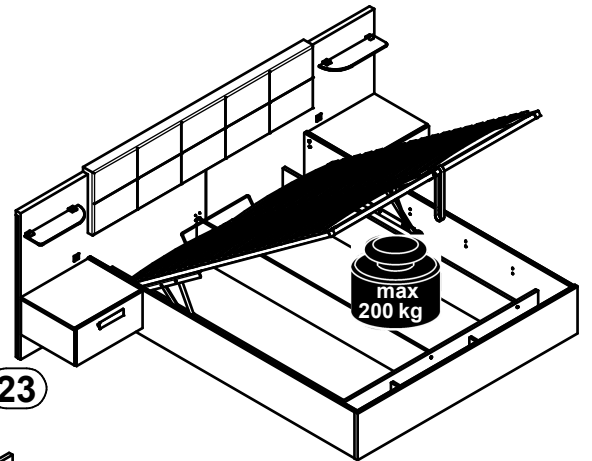
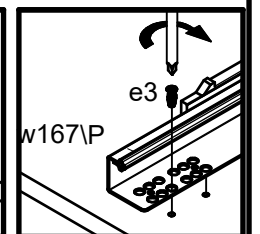
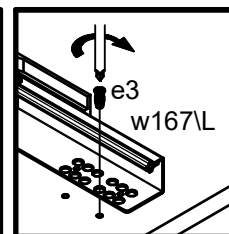
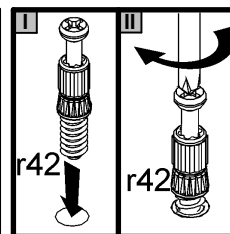
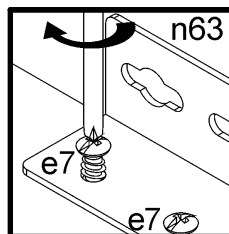
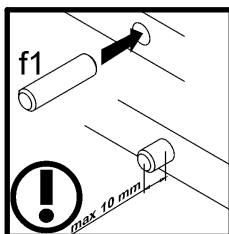
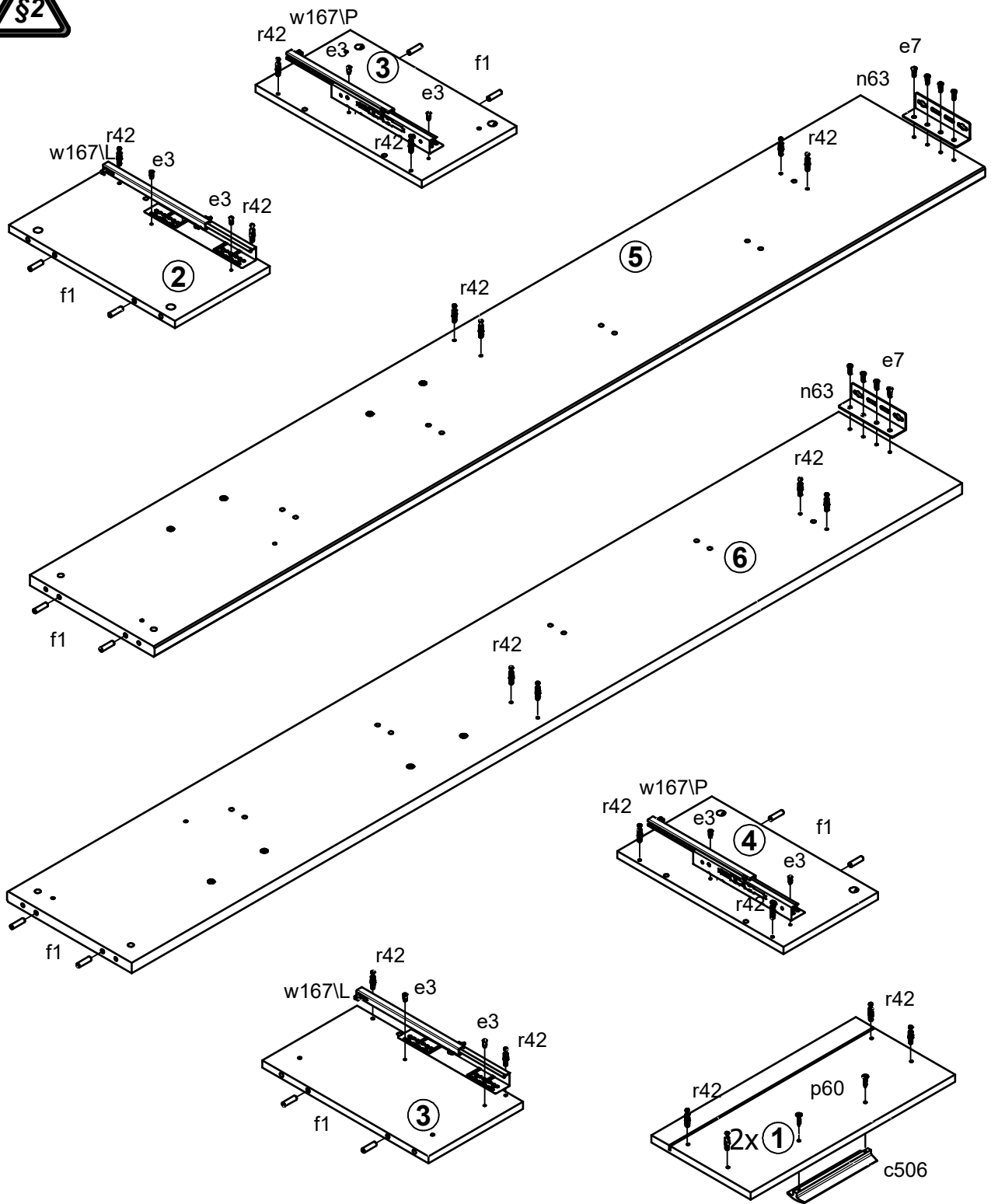


A	B	C	D	
1	L99-0001	492	239	3/8
2	L99-1001	228	400	3/8
3	L99-1002	228	400	3/8
4	L99-1003	228	400	3/8
5	L99-1005	2000	300	2/8
6	L99-1006	2000	300	2/8
7	L99-2001	501	400	3/8
8	L99-3001	470	400	3/8
9	L99-4002	1646	304	2/8
10	L99-4003	1388	950	1/8
11	L99-4004	1260	950	1/8
12	L99-4005	250	100	2/8
13	L99-4006	1600	261	3/8
14	L99-4007	1732	261	5/8
15	L99-4008	1732	258	5/8
16	L99-4009	145	100	5/8
17	L99-5001	1650	410	4/8
18	L99-5002	400	120	3/8
19	L99-9001	441	355	3/8
20	L99-9002	1731	629	5/8
21	ZQ6-5033	430	127	3/8
22	ZQ6-511	350	140	3/8
23	ZQ6-512	350	140	3/8

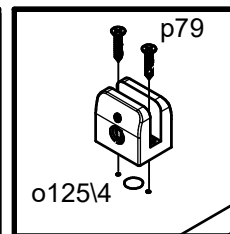
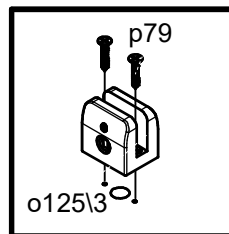
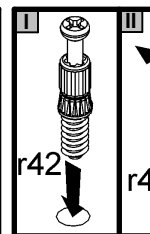
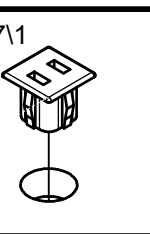
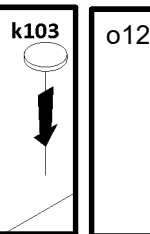
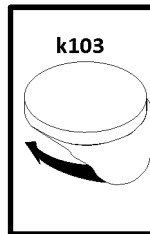
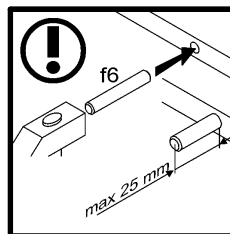
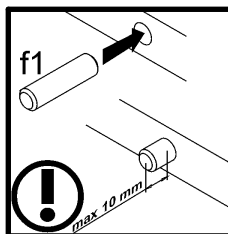
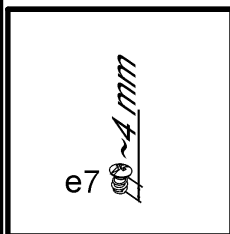
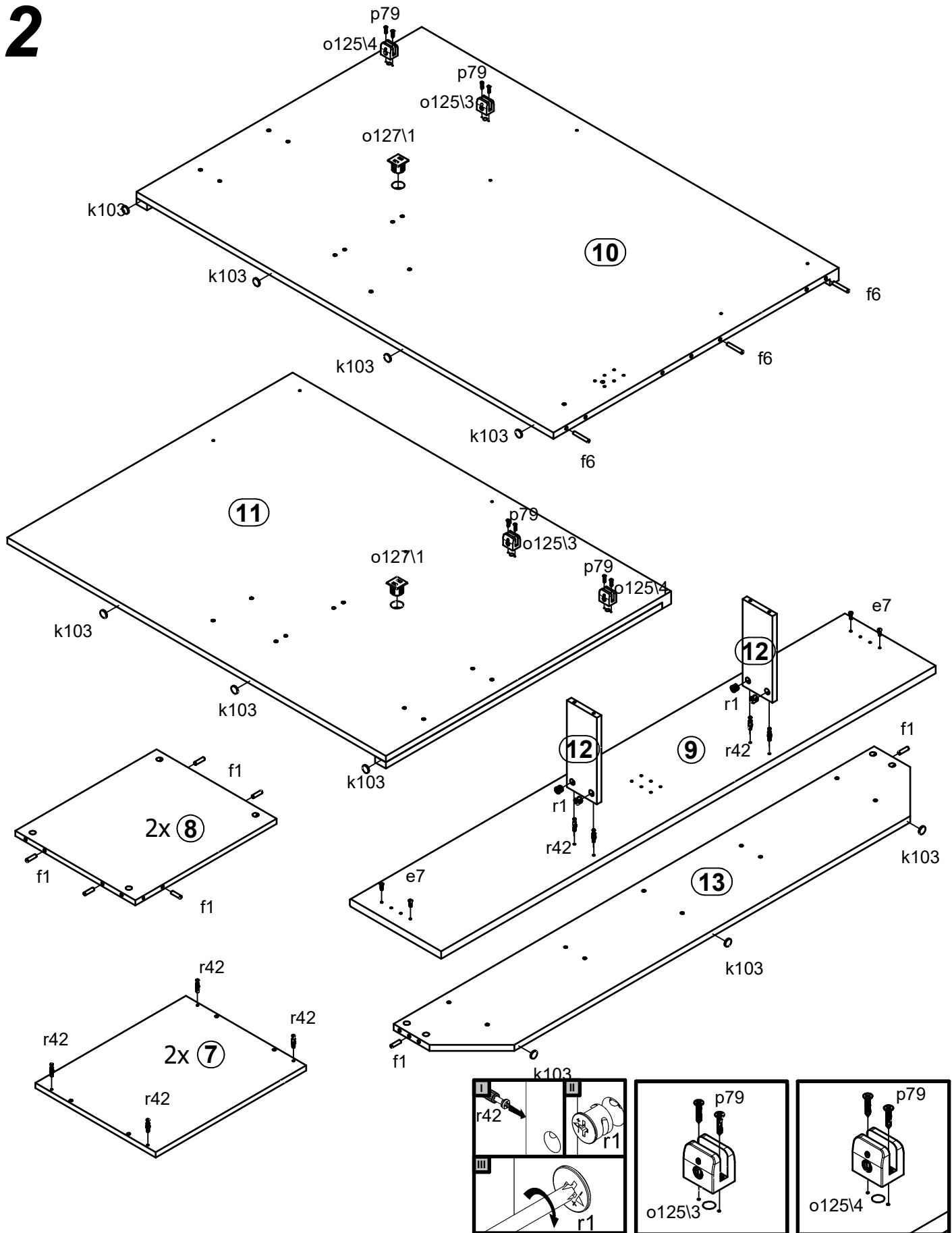


2x 180mm c506	24x Ø7x50 mm e1	8x Ø6x13 mm e3	16x Ø6.3x16 mm e7	26x Ø8x30 mm f1	4x Ø8x50 mm f6	8x Ø6.5x40 mm f25	8x M4x14 mm j29	4x Ø5x23 mm j45\2
4x M6x65 mm j132	8x M6x20 mm j167	10x Ø20x3mm k103	2x 130x34x34/2 mm n63	1x L=2m o79\5	2x Ø125\3	2x Ø125\4	2x Ø127\1	8x Ø4x30 mm p9
6x Ø3.5x16 mm p38	4x Ø2.9x16 mm p55	4x Ø4x22 mm p60	8x Ø3.5x20 mm p79	34x Ø15x12 mm #16 r1	3x r10	8x Ø12x10.5 mm #12 r15	36x 29/11 r42	4x Ø10x16 mm r43
2x 350mm w167L	2x 350mm w167P	1x 4 mm z1	1x 36W o70\11					

1 

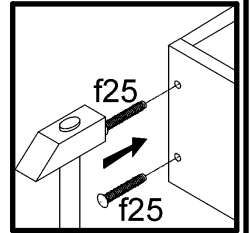
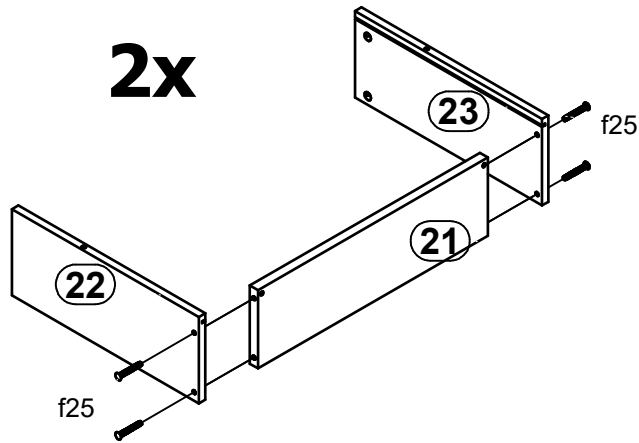


2



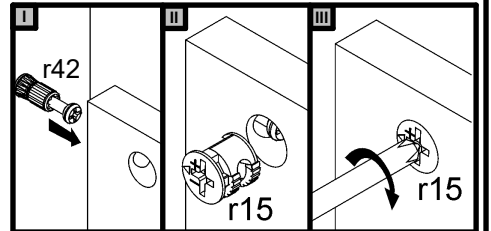
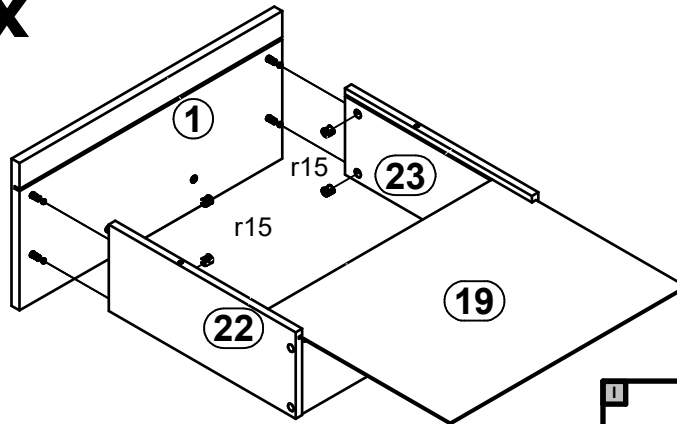
3

2x



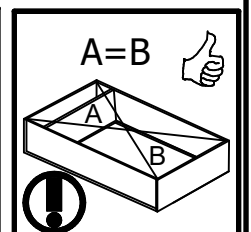
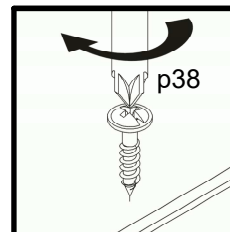
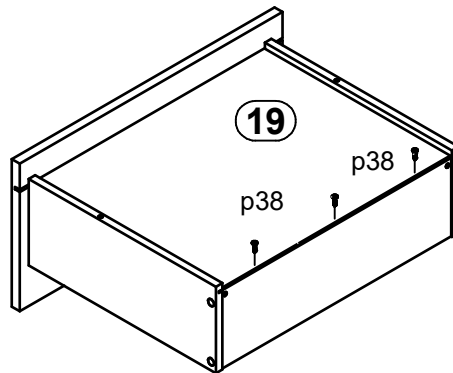
4

2x

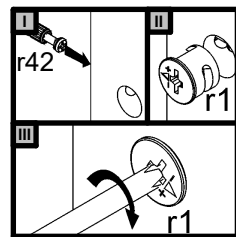
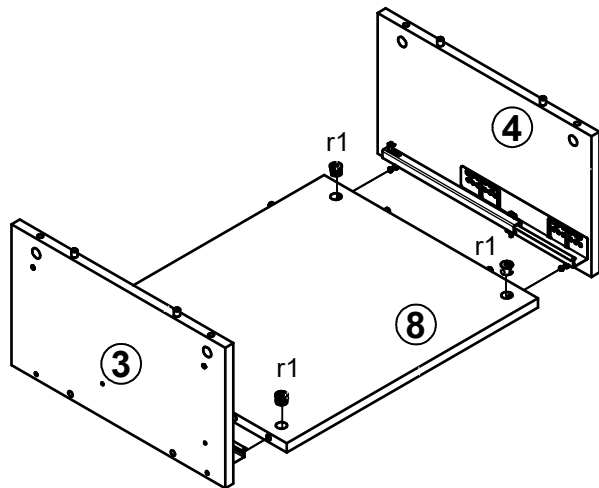
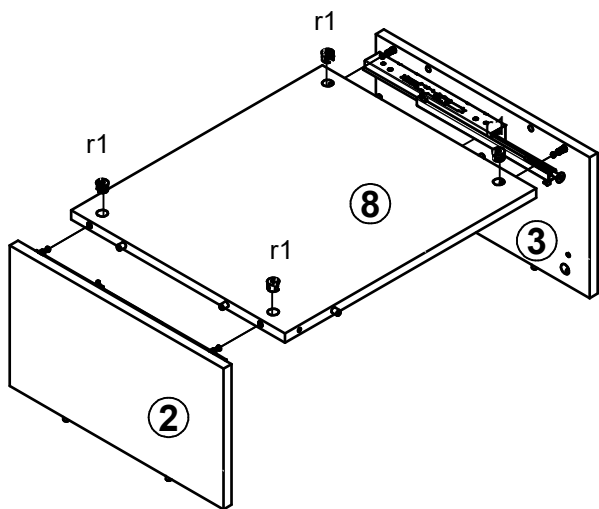


5

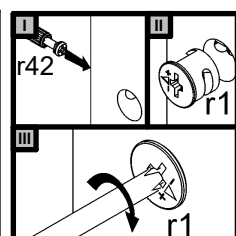
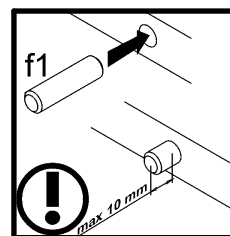
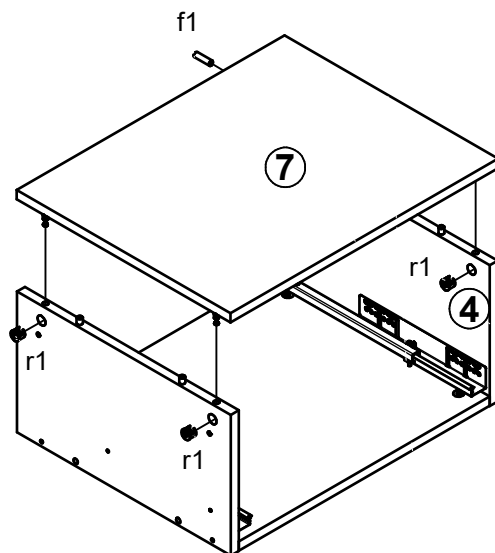
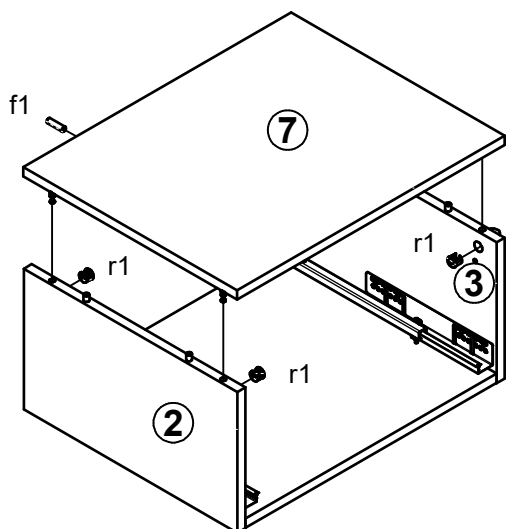
2x



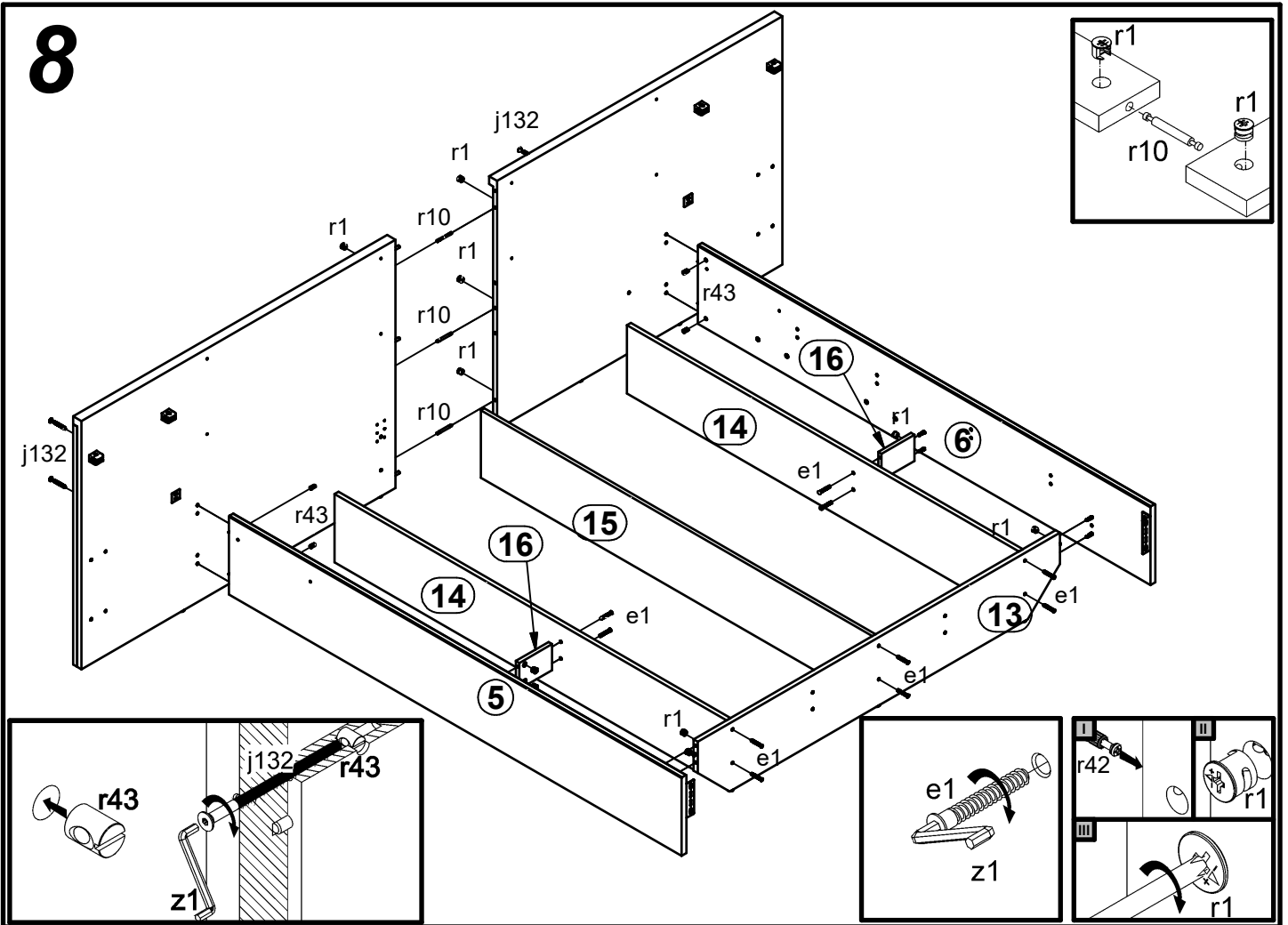
6



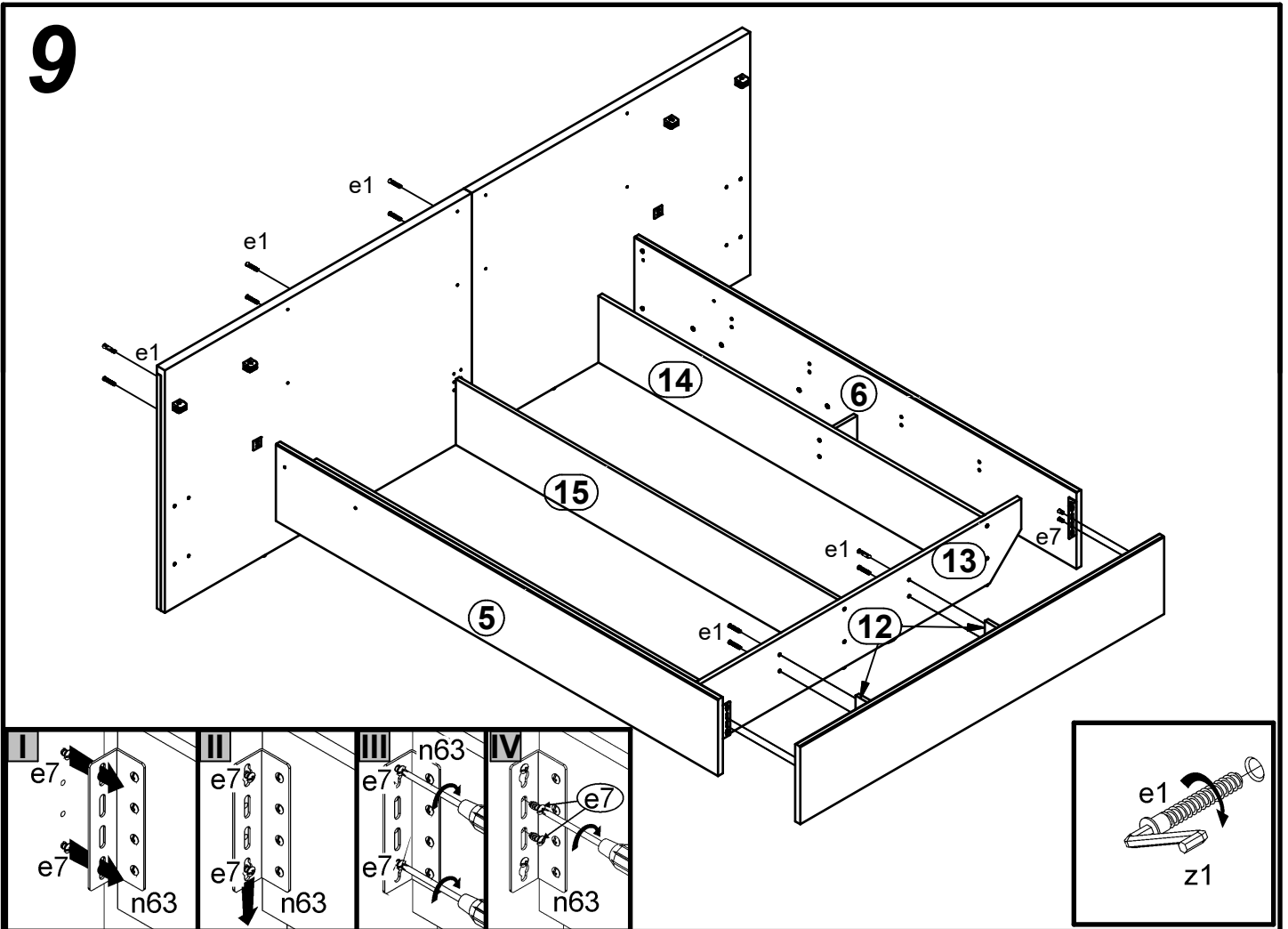
7



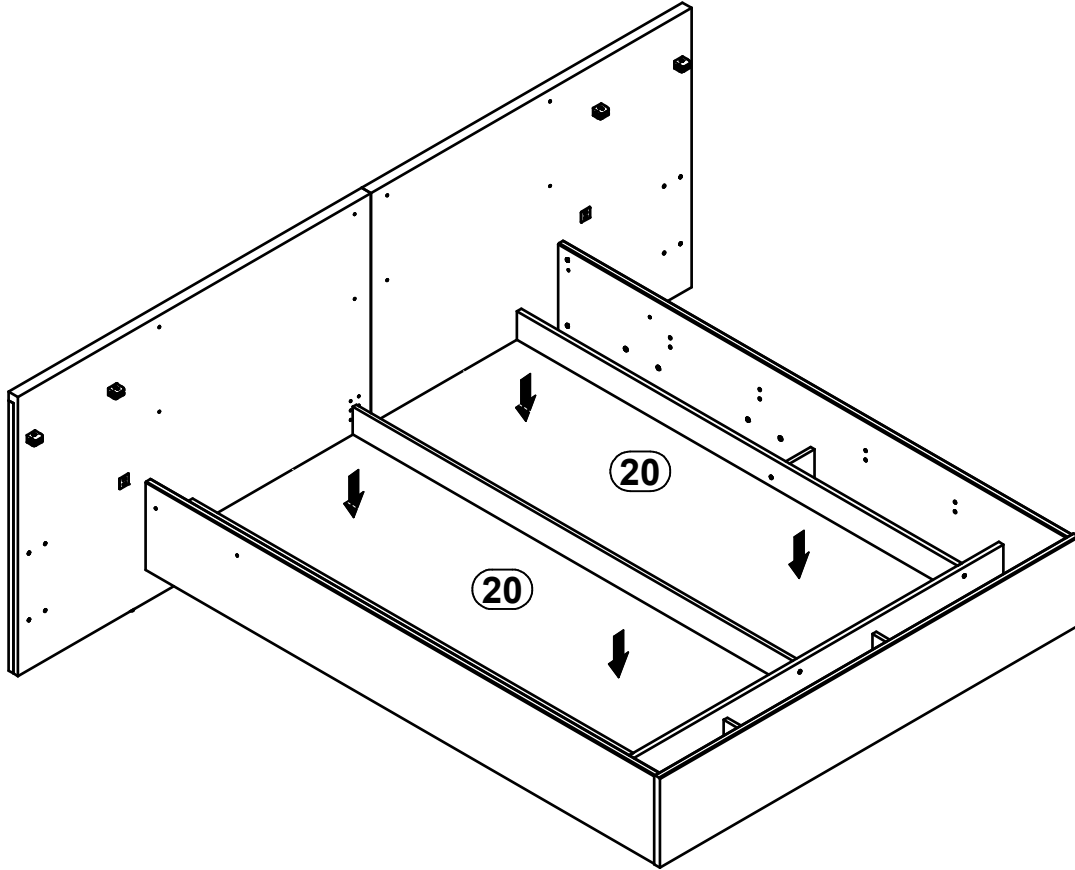
8



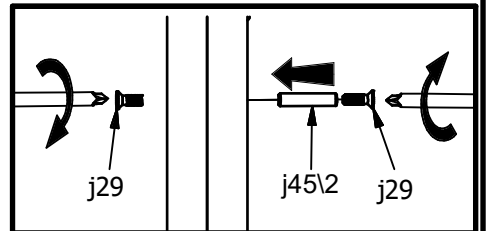
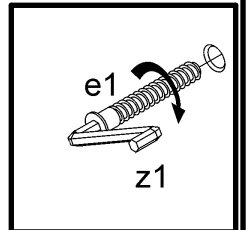
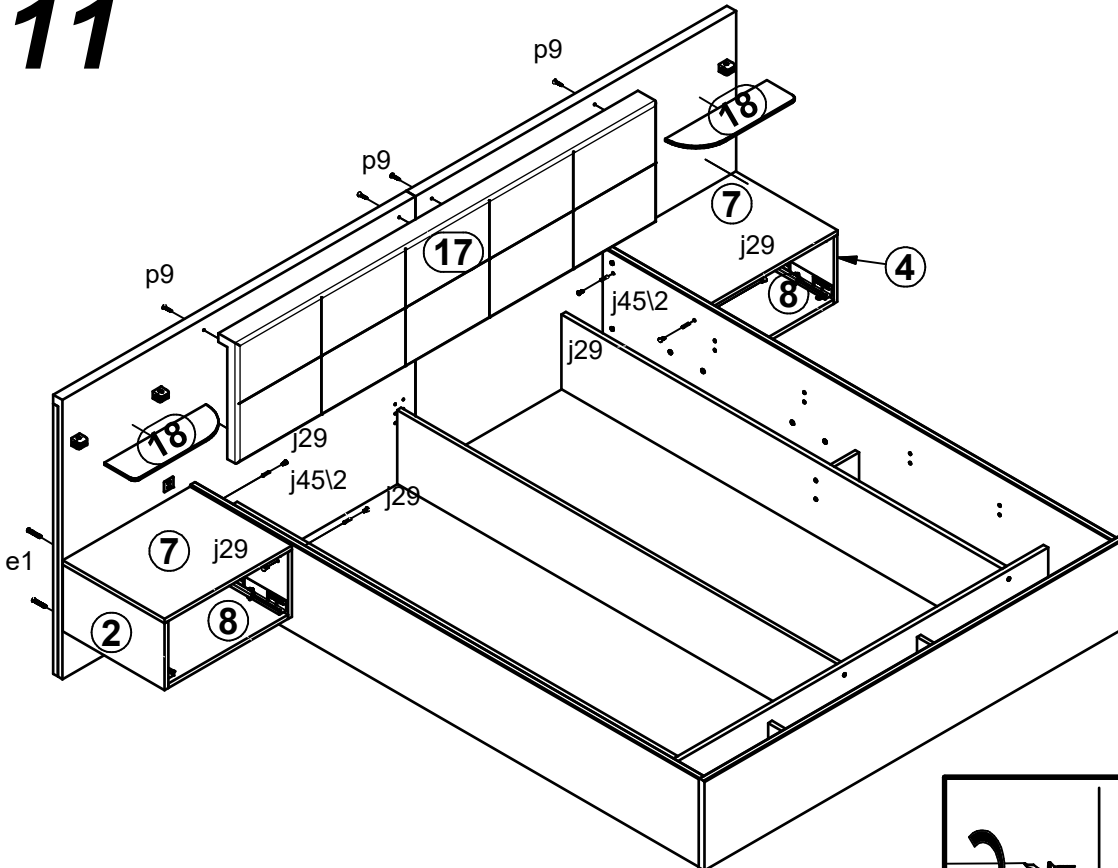
9



10



11



12

